

Utility pressure gauges

Model PG121

Nominal size: 100 mm (4"), 150 mm (6") or 250 mm (10")

ASME B40.100 / EN 837-1 / IS-3624

Accuracy: Class 2.5 (2.5%)

Features

- Rugged construction
- Protection IP54
- Overload protection 130 %
- Standard dial dual scale (psi, kg/cm²)
- Dry

Ranges

-30 in. Hg ... 0 psi up to 0 ... 10,000 psi

-1 ... 0 bar up to 0 ... 700 bar & kg/cm²

-100 ... 0 kPa up to 0 ... 70,000 kPa



Applications

Heating and ventilation

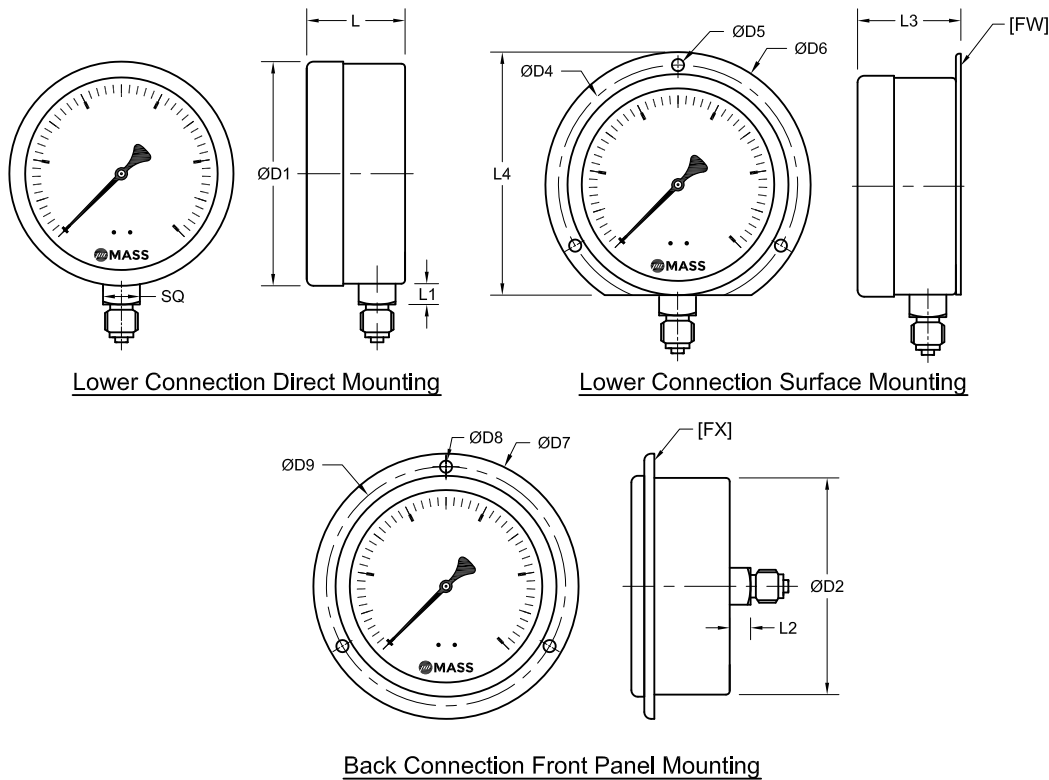
Machine and apparatus construction

Hydraulic and pneumatic systems

Boiler and refrigeration

Technical specification	PG121		
	100	150	250
Dial size in mm	100	150	250
Construction	Open front with push-in ring		
Measuring principle	Bourdon tube		
Range in psi	15 20 30 50 60 100 150 200 250 300 400 500 600 800 1000 1500 2000		
"Hg / psi	3000 4000 5000 6000 8000 10000		
Overpressure limit	-30"/0 -30"/15 -30"/30 -30"/60 -30"/100 -30"/150 -30"/200		
Pressure type	130 % F.S., short time.		
Process connection	Gauge, vacuum and compound		
Connection location	1/4" 3/8" 1/2" BSP / NPT (M) , M20x1.5 (M)		
Material	Lower, back		
Pressure connection	Brass		
Tube	Bronze for ranges ≤ 1000 psi, SS316 for ranges > 1000psi		
Case/ring	Black finished steel case		
Window	Instrument glass		
Dial	Aluminum, black markings on white background		
Pointer	Aluminum, black		
Movement	Brass		
Accuracy	Class 2.5 (2.5%)		
Permissible			
Ambient temperature	-40 ... 60 °C (-40 ... 140 °F)		
Medium temperature	Max. 65 °C (Max. 150 °F)		
Storage temperature	-40 ... 65 °C (-40 ... 150 °F)		
Effect	Max. 0,3 % / 10 K		
Protection according	IP54		
Mounting	Standard stem, optional panel, surface		
Weight dry in kg	0.28	0.70	1.94

General dimensions in mm



DIAL SIZE	100	150	250
ØD1	98	153	265
ØD2	96	151	252
ØD4	118	168	-
ØD5	6	6	-
ØD6	132	186	-
ØD7	132	-	-
ØD8	6	-	-
ØD9	118	-	-
L	35	40	52
L1	12	14	24
L2	14	-	-
L3	39	42	-
L4	122	176	-
SQ	17	17	22

Order information

Size	System material	Execution	Process connection	Connection orientation	Range	Engineering units	Case Material	Options
(100) 100mm	(B) Tube bronze, socket brass ¹⁾	(D) dry IP54	(04) 1/2" NPT (M) ²⁾	(L) Lower (C) Centre back ¹⁾	-30"/ 0	(psi & kg/cm ²) Dual scale "Hg / psi & mmHg / kg/cm ²	(=) Standard Steel case black finish	(NH) Tagging wired (DA) Dial Marking (ON) Neutral, without logo (FX) Front panel ³⁾ (FW) Surface plate ⁴⁾
(150) 150mm			(03) 3/8" NPT (M)		-30"/ 15			
(250) 250mm			(02) 1/4" NPT (M)		-30"/ 30			
			(15) 1/2" BSP (M) ²⁾		-30"/ 60			
			(14) 3/8" BSP (M)		-30"/ 100			
			(13) 1/4" BSP (M)		-30"/ 150	(psi & kg/cm ²) Dual scale psi & kg/cm ²		
			(16) M20x1.5 (M) ²⁾		-30"/ 200			
					0/ 15			
					0/ 20			
					0/ 30			
					0/ 50			
					0/ 60			
					0/ 100			
					0/ 150			
					0/ 200			
					0/ 250			
					0/ 300			
					0/ 400			
					0/ 500			
					0/ 600			
					0/ 800			
					0/ 1000			
					0/ 1500			
					0/ 2000			
					0/ 3000			
					0/ 4000			
					0/ 5000			
					0/ 6000			
					0/ 8000			
					0/ 10000			

1) For ranges above 1000 psi tube material SS316 2) Only for dial size 250mm 3) Only for dial size 100mm 4) Not for dial size 250mm

How to order

Size	Type	System material	Execution	Process connection	Connection orientation	Range	Engineering unit	Filling/Case material	Option
100	PG121	B	D	02	C	0/60	PSI & KG/CM2	=	NH

Precision Mass Products Pvt. Ltd.

Plot No.: 2306, G.I.D.C. Chhatral, Ta: Kalol, Dist.: Gandhinagar, Chhatral -382729, Gujarat, India.

Telephone: +91-2764 233681/82/83

Email: sales@precisionmass.com

Fax: +91-2764-233440

www.precisionmass.com

- North Zone : sales.delhi@precisionmass.com
- East zone : sales.kolkata@precisionmass.com
- West zone : sales.mumbai@precisionmass.com
- South zone : sales.chennai@precisionmass.com