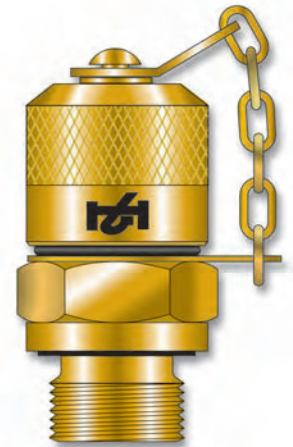
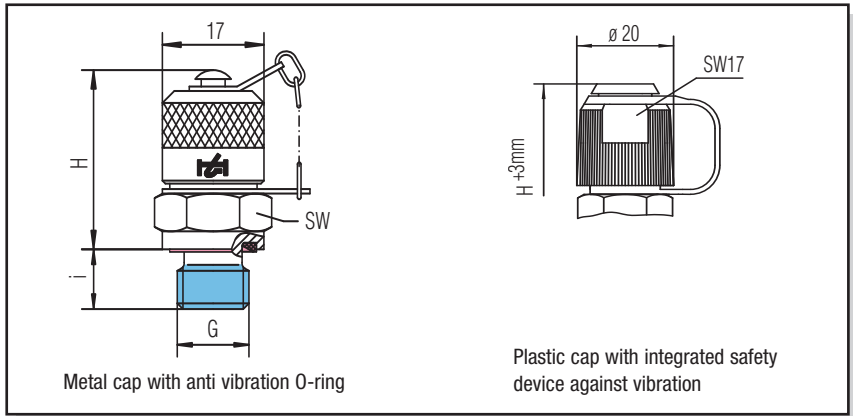


MINIMESS®-1215 Test Points



		Torque in Nm	Technical data				Material: Free cutting steel 1.0718 Metal cap Part-number with NBR - sealing	Material: Free cutting steel 1.0718 Plastic cap Part-number with NBR - sealing	Material: Stainless steel 1.4571 Metal cap Part-number with FKM - sealing
			p max	H in mm	i in mm	SW in mm			
Thread G	Type of sealing A								
M 8 x 1*	Form G	6	25 MPa	30	8,5	14	2101-06-32.00	2101-01-32.00	on request
M 10 x 1		12		30	8,5	14	2101-06-33.00	2101-01-33.00	2701-06-33.10
M 12 x 1,5	Form F	30	63 MPa	29	10	17	2101-06-13.00	2101-01-13.00	on request
M 14 x 1,5		40		29	10	19	2101-06-14.00	2101-01-14.00	on request
ISO 228-G 1/8		18	40 MPa	30	8	14	2101-06-17.00	2101-01-17.00	on request
ISO 228-G 1/4		40	63 MPa	29	10	19	2101-06-18.00	2101-01-18.00	2701-06-18.10
1/8 NPTF	Form H	–	40 MPa	26	12	14	2101-06-46.00	2101-01-46.00	on request
1/4 NPTF		–		26	15	14	2101-06-47.00	2101-01-47.00	2701-06-47.10
7/16-20 UNF	Form E	20	63 MPa	29	9	17	2101-06-21.00	2101-01-21.00	on request
9/16-18 UNF		35		28	10	19	2101-06-53.00	2101-01-53.00	on request
ISO 7/-R 1/8	Form C	–	40 MPa	26	12	14	2101-06-40.00	2101-01-40.00	on request

* M 8 x 1 – please do not use for new constructions.

Option

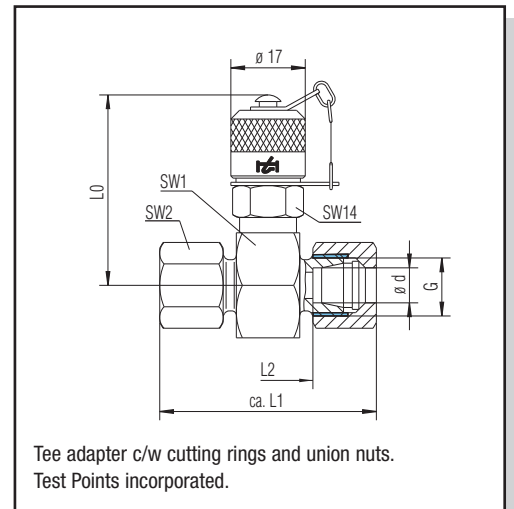
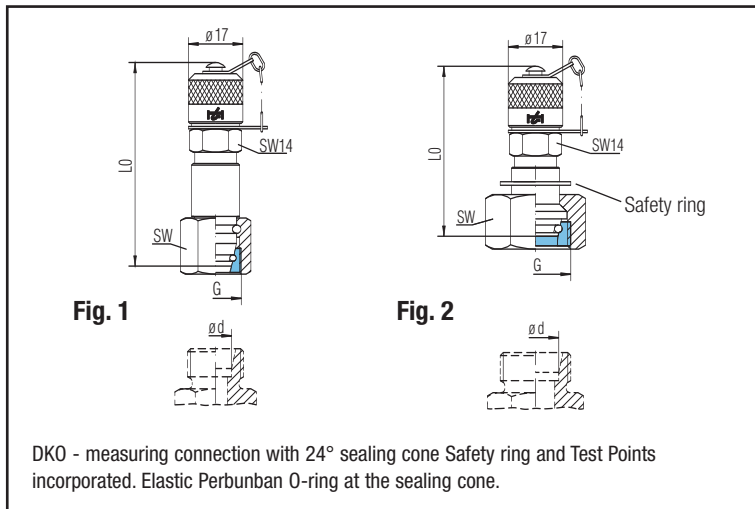
For FKM (Viton) - Exchange end digits from 00 to 10

10

Other materials, further options, sealing and screw-in threads on request.
We reserve the right to carry out technical modifications.

MINIMESS®-1215 Test Points Metric DKO, Tee Adaptors-1215

For solder free screw-in pipe connections according to DIN 2353; execution free-cutting steel 1.0718; sealing NBR



Series Ø d	p max	Thread G
L 6	31,5 MPa	M 12 x 1,5
L 8		M 14 x 1,5
L 10		M 16 x 1,5
L 12		M 18 x 1,5
L 15		M 22 x 1,5
L 18	16 MPa	M 26 x 1,5
L 22		M 30 x 2
L 28		M 36 x 2
L 35		M 45 x 2
L 42		M 52 x 2

Fig.	L ₀	SW	Part-number
1	62	17	2101-40-06.90
	62	19	2101-40-08.90
	62	19	2101-40-10.90
	58	22	2101-40-12.90
	51,5	27	2101-40-15.90
2	52,5	32	2101-40-18.90
	52,5	36	2101-40-22.90
	53,5	41	2101-40-28.90
	55,5	50	2101-40-35.90
	55,5	60	2101-40-42.90

L ₁	L ₂	L ₀	SW ₁	SW ₂	Part-number
50,5	20,5	42	24	14	2101-11-06.90
50,5	20,5	42	24	17	2101-11-08.90
52,5	22,5	42	24	19	2101-11-10.90
52,5	22,5	42	24	22	2101-11-12.90
54,5	24,5	45	30	27	2101-11-15.90
56,5	23,5	46	32	32	2101-11-18.90
60,5	27,5	48	36	36	2101-11-22.90
60,5	27,5	50,5	41	41	2101-11-28.90
68,5	25,5	53	46	50	2101-11-35.90
70,5	24,5	57,5	55	60	2101-11-42.90

Series Ø d	p max	Thread G
S 6	63 MPa	M 14 x 1,5
S 8		M 16 x 1,5
S 10		M 18 x 1,5
S 12		M 20 x 1,5
S 14		M 22 x 1,5
S 16	40 MPa	M 24 x 1,5
S 20		M 30 x 2
S 25		M 36 x 2
S 30		M 42 x 2
S 38		31,5 MPa

Fig.	L ₀	SW	Part-number
1	62	17	2101-41-06.90
	62	19	2101-41-08.90
	62	22	2101-41-10.90
	58	24	2101-41-12.90
	55	27	2101-41-14.90
2	55	30	2101-41-16.90
	55,5	36	2101-41-20.90
	57	46	2101-41-25.90
	58,5	50	2101-41-30.90
	61,5	60	2101-41-38.90

L ₁	L ₂	L ₀	SW ₁	SW ₂	Part-number
54,5	24,5	42	24	17	2101-12-06.90
54,5	24,5	42	24	19	2101-12-08.90
56,5	23,5	42	24	22	2101-12-10.90
56,5	23,5	42	24	24	2101-12-12.90
62,5	26,5	43,5	27	27	2101-12-14.90
62,5	25,5	45	30	30	2101-12-16.90
68,5	25,5	48	36	36	2101-12-20.90
74,5	26,5	50,5	41	46	2101-12-25.90
80,5	27,5	53	46	50	2101-12-30.90
91	29	57,5	55	60	2101-12-38.90

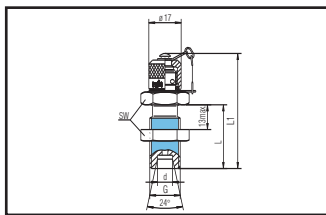
Options

All sealing made of Viton with metal cap (when ordering, exchange end digits from 00 to 10)	00
With mounted plastic cap (when ordering, exchange end digits from 00 to 90)	95

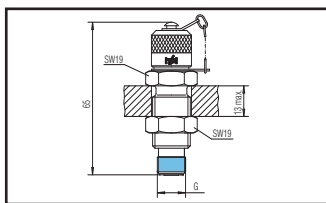
Other materials, further options, sealing and screw-in threads on request.

MINIMESS®-1215 Test Points 1215 Bulkhead Adaptors

For solder free screw-in pipe connections according to DIN 2353; execution free-cutting steel 1.0718; sealing NBR

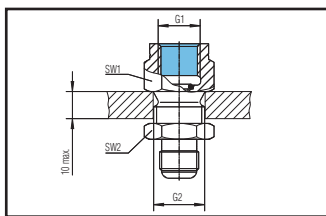


Thread G	p max	Connection	L in mm	L ₁ in mm	SW in mm	Part-number
M 12 x 1,5	31,5 MPa	L 6	34	60,5	17	2101-04-22.90
M 14 x 1,5		L 8	34	60,5	19	2101-04-23.90
M 14 x 1,5	63 MPa	S 6	36	62,5	19	2101-04-24.90



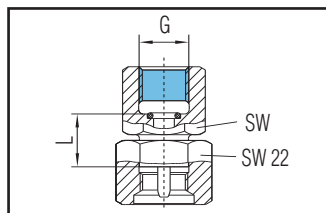
Thread G	p max	Connection	Part-number
Fixing thread 12	63 MPa	On both sides MINIMESS® - 1215 connection	2101-04-16.90

MINIMESS®-1215 pressure gauge connection for bulkhead fitting



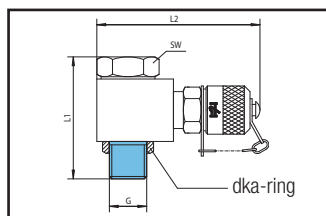
Internal thread G1	p max	Connection G2	L in mm (approx.)	SW in mm	Note	Part-number
ISO 228-G 1/4	63 MPa	1215	31	19	Without return valve	2101-05-11.00
ISO 228-G 1/2			38,5	27		2101-05-12.00
1/4 NPT			-	22		2101-05-23.00

MINIMESS®-pressure gauge – direct connection



Internal thread G	p max	L in mm	SW in mm	Part-number
ISO 228-G 1/4	63 MPa	14,5	19	2101-07-11.62
ISO 228-G 1/2		17	27	2101-07-12.62
1/4 NPT		-	19	2101-07-23.62

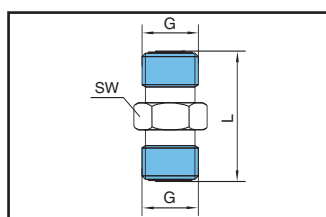
MINIMESS®-1215 Test Points 1215 90° Swivel screw connection



Thread G	p max	L ₁ in mm	L ₂ in mm	SW in mm	Part-number
ISO 228-G 1/4	63 MPa	34,5	46	19	2115-22-14.00

Sealing on screw-in thread (hollow screw) via dka-ring, on hexagon via Gi-ring (NBR). Other options on request.

MINIMESS®-1215 hose adaptors



Thread G	p max	L in mm	SW in mm	Note	Part-number
Fixing thread 12	63 MPa	29	14	Without return valve	2146-20-00.20

Other materials, further options, sealing and screw-in threads on request.

Authorised distributors in India



Techni Towers, C-54/A, APIE, Balanagar, Hyderabad - 500 037 (AP)
Tel. Nos. : 040-23778803, 23778804, 23871445. Fax No.040-23876781
E-mail : business@techniaids.com // URL : www.techniaids.com

