

Flanged Thermowells

Model TWF

ASME B 40.200

Features

- Solid bore construction
- Materials according ISO 15156/NACE MR 01-75
- Selection of materials
- Standard and customer specifications
- DIN 43772 and ANSI/ASME process connections

Ratings

DIN up to PN100

ANSI/ASME up to 1500 lbs

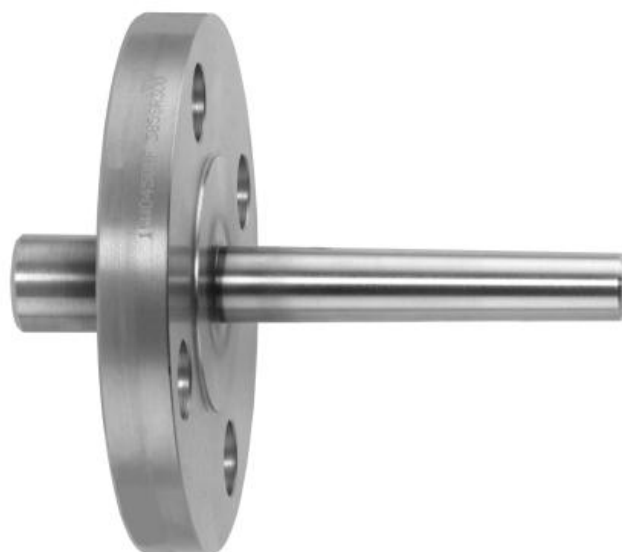
Applications

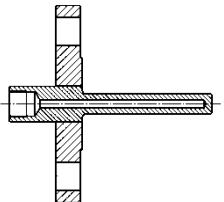
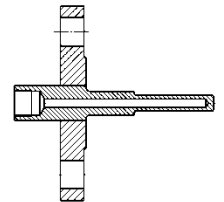
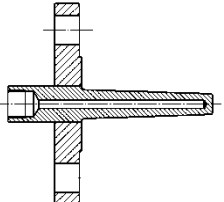
Chemical and petrochemical industry

Machine and apparatus construction

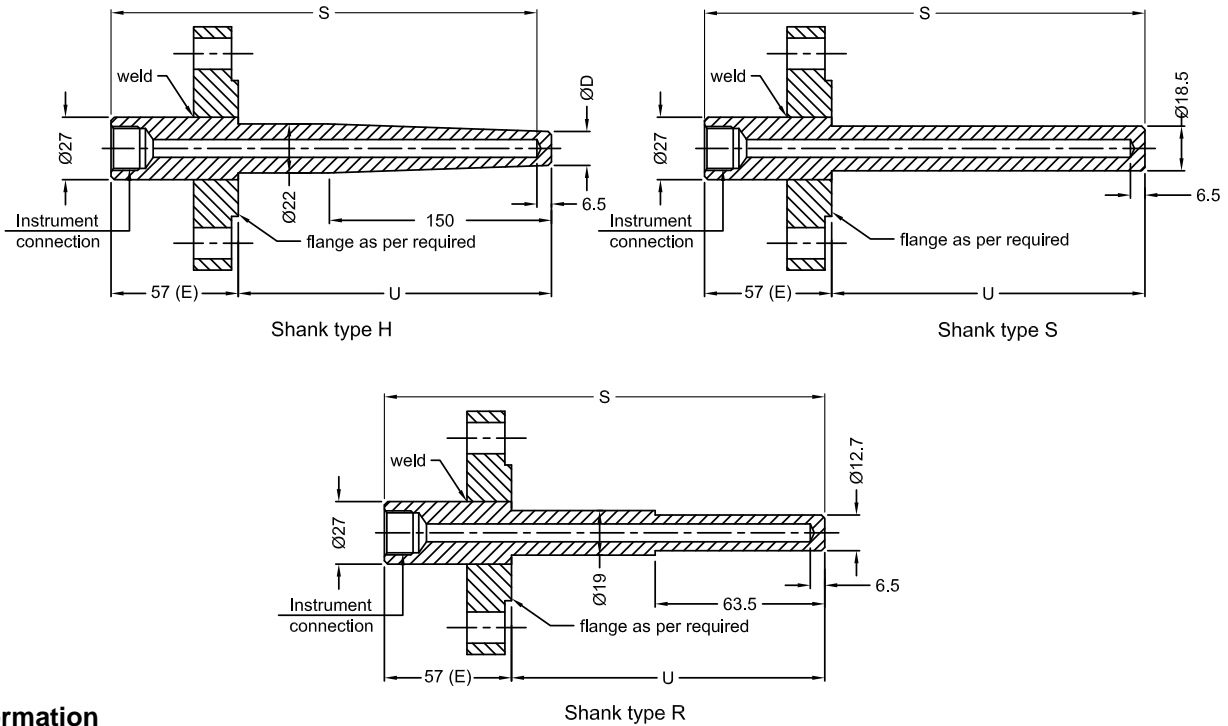
Food and beverage industry

Pulp and paper industry



Technical specification	S	R	H		
Solid bore design					
	Shank solid bore, flange welded on shank standard. Optional one piece design, built up design or to customer specification				
Construction shank	Straight	Stepped	Tapered		
Bore diameter in mm	6.6	7.0	9,8	10.5	12.5, others on request
Pressure rating	Depending on flange rating				
Process connection					
DIN 43772					
Size	DN25, DN40, DN50, DN80, DN100, others on request				
Pressure class	PN10, PN16, PN25, PN40, PN64, PN100, others on request				
ANSI/ASME B16.5					
Size [inch]	1, 1½, 2, 3, 4, others on request				
Pressure class [lbs]	150, 300, 600, 900, 1500				
Facing	Raised face, Flat face, Ring joint type)				
	Other forms, connections or standards are available on request				
Instrument connection	½" NPT (F) or ½" BSP (F)				
Material	Carbon steel, Stainless steel 304 (1.4301), 304L (1.4306), 316 (1.4401), 316L (1.4404), 316Ti (1.4571), 321 (1.4541) Monel, Hastelloy B, Hastelloy C, Inconel, Tantalum, Duplex, Nickel Other materials or coatings on request				
Certifications & tests	Material certificate DIN EN 10 204 3.1, Hydrostatic test, dye penetration test, X-ray, Hardness test, ISO 15156/NACE certificate, stress calculation according to ASME PTC 19.3				
Accessories, options	Thermometers, RTD, thermocouples				

General dimensions in mm



Order information

Process connection	U-length in mm	Instrument connection	Extension Length	Type	Bore	Material	Flange facing	Pressure rating	Options
ANSI Flanged (10) 1" (15) 1 1/2" (20) 2" (30) 3"	(U...) Specify length in mm ² E.g. (250) for U length 250mm	(04T) 1/2" NPT(F) (15T) 1/2" BSP(F)	(=) Standard, 57mm (EX) Specify extension length in mm E.g. (E100) for 100mm extension length	(H) Standard with Welded Flange Tapered Shank (S) Welded Flange Straight Shank (R) Welded Flange Stepped Shank (only bore 0,260 (6,6mm))	(6.6) 6.6mm (7.0) 7.0mm (8.5) 8.5mm (9.8) 9.8mm (10.5) 10.5mm ¹⁾ (12.5) 12.5mm ¹⁾	(B) Carbon steel (C) 304 (1.4301) (CL) 304L (1.4306) (S) 316 (1.4401) (SL) 316L (1.4404) (SH) 321 (1.4541) (ST) 316Ti (1.4571) (M) Monel (H) Hastelloy C (N) Nickel (DU) Duplex (IN) Inconel flange material is the same as the shank material unless specified with code (FL.), see options	(ANSI) ANSI Flange (RF) Raised face (FF) Flat face ²⁾ (RTJ) Ring joint type	ANSI Flange 150 300 600 900 1500	(NH) Tagging stamped (CC) Cap & chain stainless steel (BP) Buffed and polished (FL) Specify flange as per material code (e.g. FLM flange material Monel) Certification (CDWFC) Wake frequency ASME PTC 19.3 (CDW2) Dye penetration test (CDRH) Rockwell hardness test (BC) Bore Concentricity test (XR1) X-ray for weld joint (XR2) X-ray for bore concentricity (CDW9) 100 bar 1 min. (CD3) 3.1 Material certi. (CD5) NACE MR 01-75 / ISO 15156-2003 ³⁾ (CDMA) NACE MR 0175 / ISO 15156-2005 ⁴⁾ (CDPMI) Positive material certificate (PWHT) Post weld heat treatment (CDIBR) IBR Certificate
others on request									

1) Not for shank type R (stepped) 2) only for size < 3" 3) only for material (H) and (DU) 4) only for material (SL)

How to order

Process connection	Type	U-length	Instrument connection	Extension length	Shank type	Bore diameter	Material	Flange facing	Pressure rating	Options
10	TWF	250	04T	=	H	9.8	SL	RF	150	NH

Precision Mass Products Pvt. Ltd.

Plot No.: 2306, G.I.D.C. Chhatral, Ta: Kalol, Dist.: Gandhinagar,
 Chhatral 382 729, Gujarat, India.
 Telephone: +91-2764 233681/82/83
 Email: sales@precisionmass.com

Fax: +91-2764-233440
 www.precisionmass.com

- North Zone : sales.delhi@precisionmass.com
- East zone : sales.kolkata@precisionmass.com
- West zone : sales.mumbai@precisionmass.com
- South zone : sales.chennai@precisionmass.com